

# ACR™ ROBOT 327



 CONJET

## ACR™ ROBOT 327

# Compact and flexible

Robot 327 is fully automated via the Conjet ONE control system. The robot has been developed to work in confined spaces and areas. It passes easily through an opening less than 0,9m (3ft) wide.

The Robot 327 is highly customizable. The different variations of tools and arms can be combined to match your project's needs. Apart from the arm and tool configurations, the high pressure lance of Robot 327 can be equipped with either a single oscillating nozzle or a double nozzle assembly. Furthermore, a ship cleaning and paint removal rotor head can be selected.

## FEATURES

- Fully automated via the Conjet ONE control system
- Track extensions for maximum stability
- Track sensors control travel distance
- Arm and feed beam can rotate 360°
- Removable side-covers enabling optimum reach in corners
- Compact feed-beam
- Accessory kit makes it very flexible and multi-purpose
- Prepared for Conjet Connect

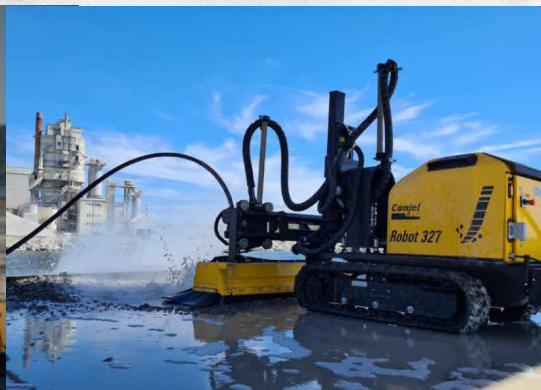


## OPTIMAL FOR

- Parking decks
- Narrow tunnels
- Pipes



Mirrored color display on both machine and remote control for easy configuration and monitoring.



# ACR™ ROBOT 327

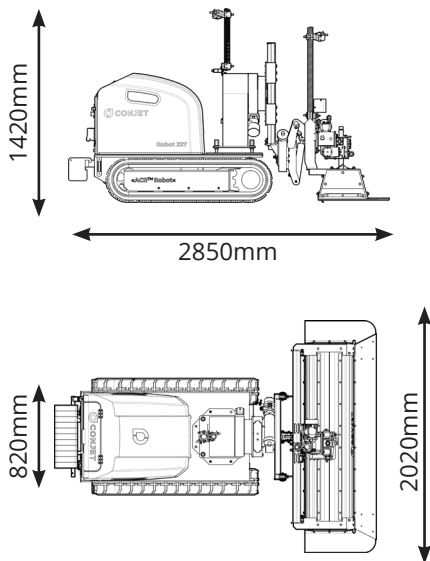
<b>Width - carrier</b>	820-1200mm (2ft 8.3in-3ft 11in)
<b>Cutting width</b>	1600mm (5ft 3in)
<b>Length</b>	2850mm (9ft 4in)
<b>Height</b>	1420mm (4ft 8in)
<b>Cutting height - overhead</b>	2000mm (6ft 7in) / 2850mm(9ft 4in)**
<b>Cutting height - vertical</b>	2400mm (7ft 10in) / 3300mm(10ft 10in)**
<b>Weight / with counterweight</b>	1180kg (2600lb) / 1330kg (2930lb)
<b>Maximum reaction force</b>	1500N*
<b>Power supply</b>	3 phase 380 - 480V, 16A, 50 - 60Hz 3 phase 200V, 32A, 50 - 60Hz



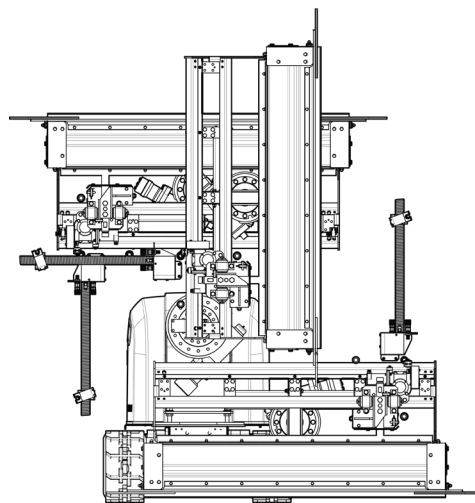
CE, EMC certified

\*see Operators Manual for detailed instructions  
\*\*with extension arm








## SIZE



## RANGE



## ACCESSORIES

<b>ARMS</b>		Standard	<b>TOOLS</b>		Feed beam extension
		Arm extension 850mm			Rotor
		Base extension 150-600mm			Ship cleaning / Surface preparation
				Tunnel oscillator	

Bridges. Parking Decks. Dams. Tunnels. Piers. If a concrete structure needs repair, Conjet has the optimal concrete removal solution for the task.

For over 35 years, we have led the development of robotic hydrodemolition technology – a technology with a proven track record as the most sustainable and effective method for concrete removal and other types of surface preparation.

We provide world class training and aftersales support for our partners and customers, Team Conjet, to ensure that projects are successfully performed in a safe, precise and efficient manner.

At Conjet, our collective knowledge and expertise has been built into our Automated Concrete Removal robots. Safe for the structure, safe for the operator and safe for the environment.

**We call it ACR™**



**Conjet AB**

Anläggsvägen 14  
SE-136 25 Haninge  
SWEDEN  
+46 (0)8 55 65 22 40

**Conjet Inc.**

3400 Int'l Airport Dr., Ste 100  
Charlotte, NC 28208  
USA

[www.conjet.com](http://www.conjet.com) | [info@conjet.com](mailto:info@conjet.com)